

# 6SC2214W31A0BMZ3-1

- ◆ **Outline(L\*W\*H): 2.2\*1.4\*1.3 mm**
- ◆ **High flux efficiency & Energy conservation**
- ◆ **Good thermal dissipation & optical uniformity**



## Table of Contents

Product Code Method-----	2
Maximum Rating-----	2
Typical Product Characteristics-----	3
Range of Bins-----	3
Color Coordinate Comparison-----	4
Relative Spectral Power Distribution-----	5
Typical Diagram Characteristics of Radiation-----	5
Relative Spectral Power Distribution-----	6
Dimensions -----	8
Reflow Profile-----	9
Test Circuit and Handling Precautions-----	10
Packing-----	11
Precautions-----	13
Test Items and Results of Reliability-----	14

## Features

- Forward current:  $\leq 30\text{mA}$
- Typical view angle 50% Iv:  $120^\circ$
- RoHS2.0 and REACH-compliant
- Lens color: white diffused
- Qualified according to JEDEC moisturevity Level 2a
- ESD level 6kV(HBM)
- Reliability Test: AEC Q-102qualified

## Applications

- Indoor lighting applications
- Flat backlight for LCD. Switch and symbol
- Indicator and backlighting for all consumer electronics
- Automotive electronics
- Others applications

**■ Product Code Method**

6 - S - C - 2214 - W31A - 0 - B - M - Z3-1

① ② ③ ④ ⑤ ⑥ ⑦ ⑧ ⑨

①	②	③	④	⑤
Process Type	Category	LED Type	Lead Frame Size	Dice wavelength & luminous rank
6 : special product	S: SMD LED	C: PLCC top view D: PLCC side view	2214: 2.2* 1.4mm	Wxxx: White

⑥	⑦	⑧	⑨
Lap Polarity	Cap Color	PCB Module Code	Flow Code
0: non-common anode and non-common cathode	B: white diffused	M: article mode	Z: Zener 3-1: no expression above meaning for company

**■ Maximum Rating(Ta=25°C)**

Characteristics	Symbol	Typical	Unit
DC Forward Current	I <sub>F</sub>	30	mA
Pulse Forward Current <sup>*3</sup>	I <sub>PF</sub>	100	mA
Reverse Voltage	V <sub>R</sub>	5	V
Junction Temperature	T <sub>J</sub>	125	°C
Operating Temperature Range	T <sub>OP</sub>	-40-105	°C
Storage Temperature Range	T <sub>STG</sub>	-40-105	°C
Soldering Temperature <sup>*4</sup>	T <sub>SD</sub>	260	°C
Thermal Resistance Junction/ Solder Point	R <sub>THJ-S</sub>	130	°C/W
Thermal Resistance Junction/ Ambient Point	R <sub>THJ-A</sub>	260	°C/W

Notes 1: There is no maximum or typical voltage parameter

2: For other ambient, limited setting of current will be depended on de-rating curves.

3: Duty 1/10, pulse width 0.1ms

4: The maximum of soldering time is 10 seconds in T<sub>SD</sub>

**■ Typical Product Characteristics(Ta=25°C)**

Characteristics	Symbol	Min.	Typ.	Max.	Unit	Test condition
Forward Voltage	V <sub>F</sub>	2.9	3.2	3.5	V	I <sub>F</sub> =20mA
Luminous Intensity	I <sub>v</sub>	70	160		mcd	I <sub>F</sub> =20mA
Color Coordinate	x	-	0.289	-	-	I <sub>F</sub> =20mA
	y	-	0.273	-	-	
Peak Wavelength	λ <sub>p</sub>	-	457	-	nm	I <sub>F</sub> =5mA
Spectral Width 50%	Δλ	-	25	-	nm	I <sub>F</sub> =5mA
Reverse Current	I <sub>R</sub>	-	-	10	μA	V <sub>R</sub> = 5V
Viewing Angle	2θ <sub>1/2</sub>	-	120	-	deg	I <sub>F</sub> =5mA

Notes: 1. Measurement errors:

Forward Voltage: ±0.1V, Luminous Intensity: ±10%I<sub>v</sub>, Color Coordinate: ±0.005, Viewing Angle (2θ<sub>1/2</sub>) ±5%

2. Electrical-Optical Characteristics (Ta=25°C)

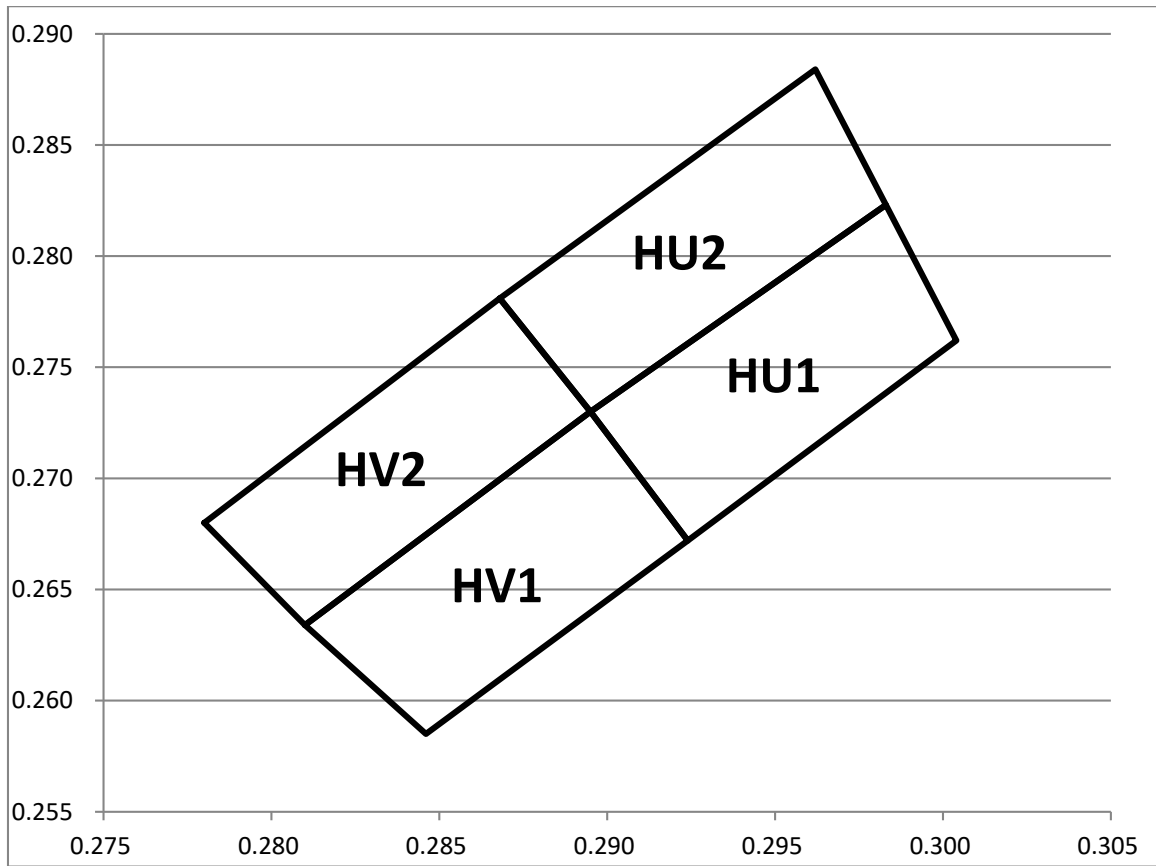
**■ Range of Bins**
**1).Forward Voltage (I<sub>F</sub> = 20mA)**

Bin Code	Min. V <sub>F</sub> (V)	Max. V <sub>F</sub> (V)
C	2.9	3.0
D	3.0	3.1
E	3.1	3.2
F	3.2	3.3
G	3.3	3.4
H	3.4	3.5

**2).Luminous Intensity (I<sub>F</sub> = 20mA)**

Bin Code	Min. I <sub>v</sub> (mcd)	Max. I <sub>v</sub> (mcd)
5	70	90
6	90	120
7	120	160
8	160	210
9	210	270

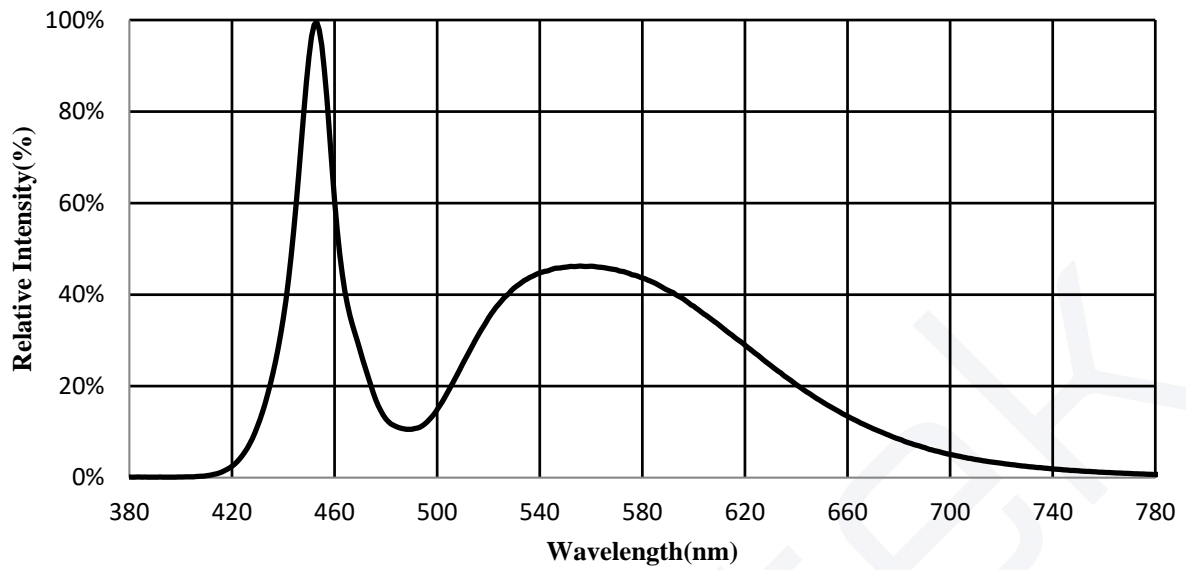
■ Color Coordinate Comparison



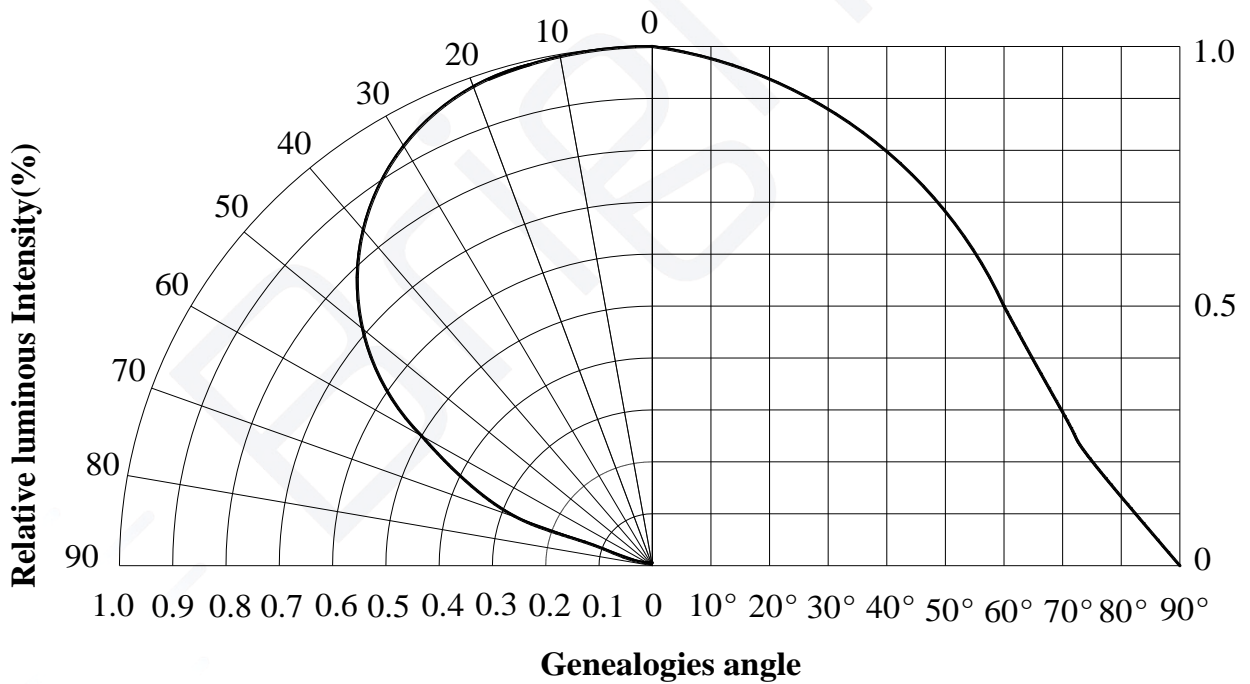
**Color Rank**

Bin	X	Y	X	Y	X	Y	X	Y
HV2	0.278	0.268	0.281	0.2634	0.2895	0.273	0.2868	0.2781
HV1	0.281	0.2634	0.2846	0.2585	0.2924	0.2672	0.2895	0.273
HU2	0.2868	0.2781	0.2895	0.273	0.2983	0.2823	0.2962	0.2884
HU1	0.2895	0.273	0.2924	0.2672	0.3004	0.2762	0.2983	0.2823

■ **Relative Spectral Power Distribution**

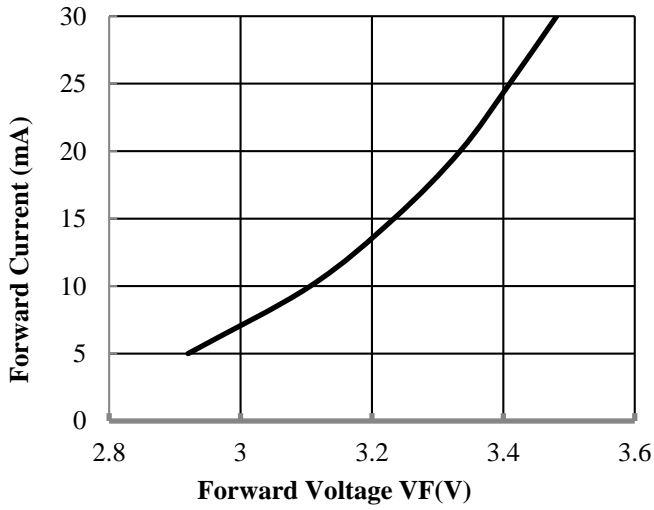


■ **Typical Diagram Characteristics of Radiation**

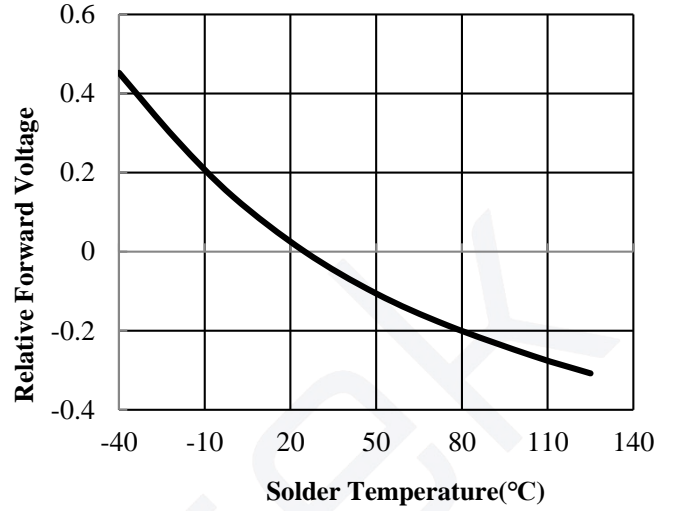


■ Relative Spectral Power Distribution

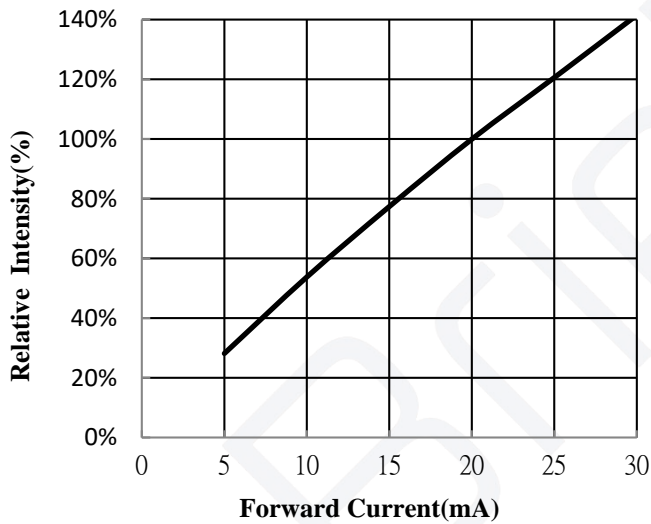
Forward Current vs. Forward Voltage



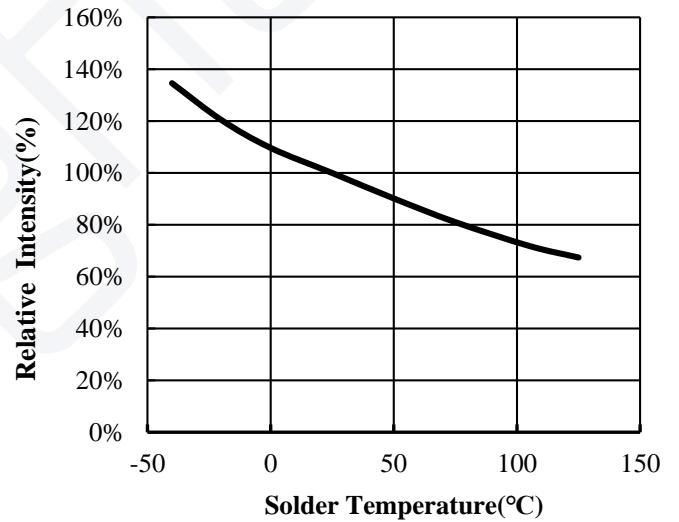
Forward Voltage vs. Solder Temperature



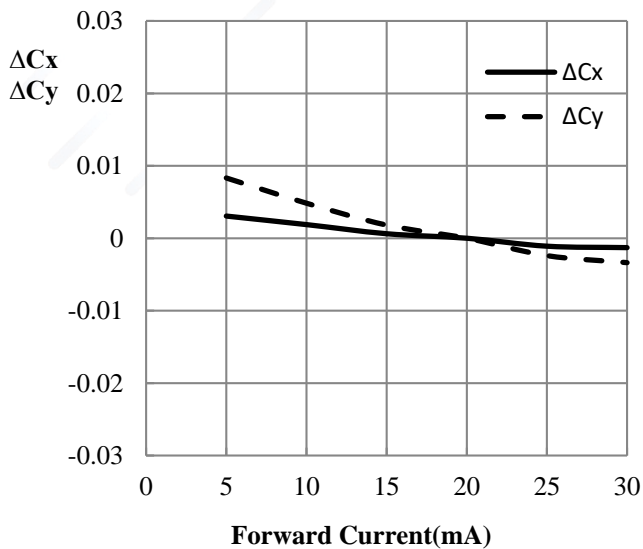
Relative Intensity vs. Forward Current



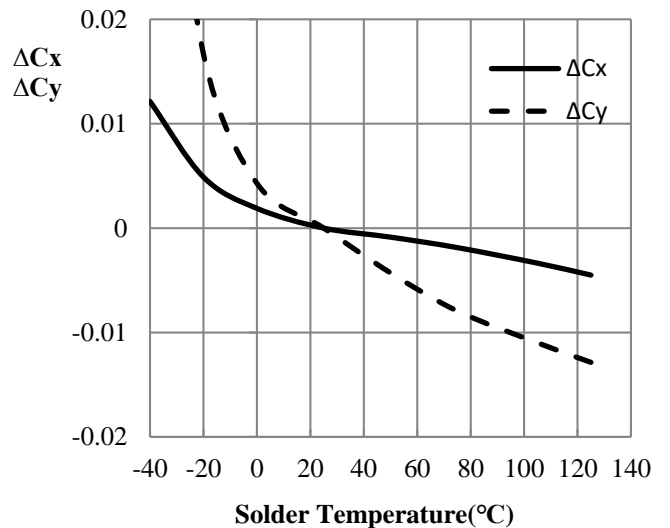
Relative Intensity vs. Solder Temperature



Chromaticity Coordinate vs. Forward Current

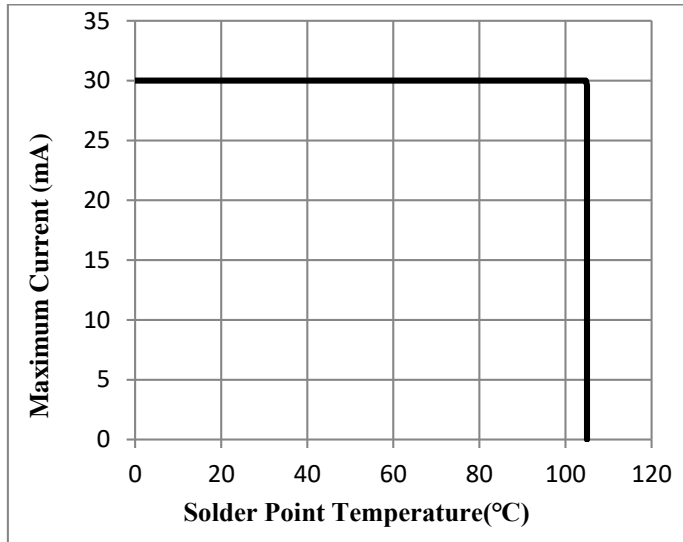


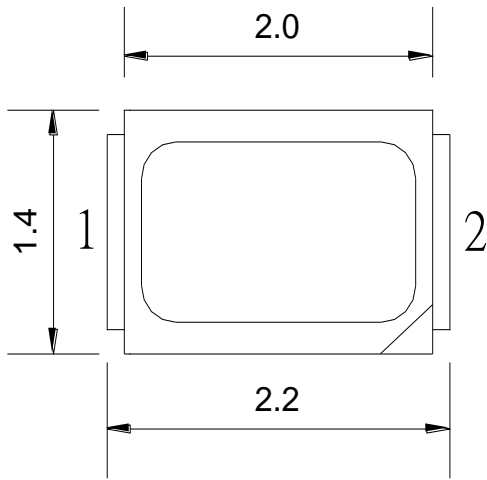
Chromaticity Coordinate vs. Solder Temperature



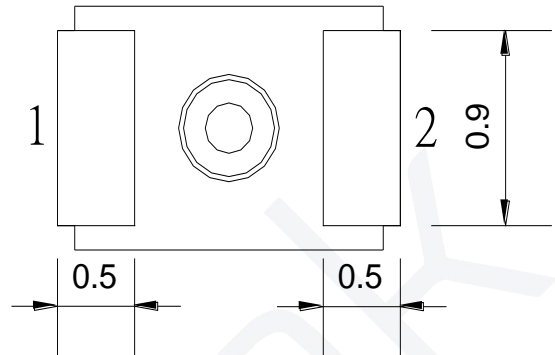
■ **Relative Spectral Power Distribution**

The maximum forward current is determined by the thermal resistance between the LED junction and solder point. It is crucial for the end product to be designed in a manner that minimizes the thermal resistance from the solder point to ambient in order to optimize lamp life and optical characteristics.

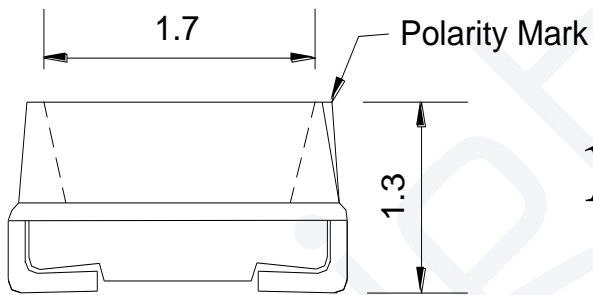


**■ Dimensions**


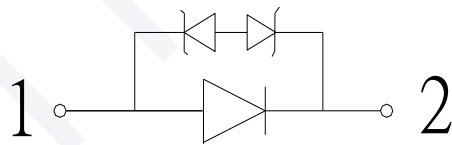
Top View



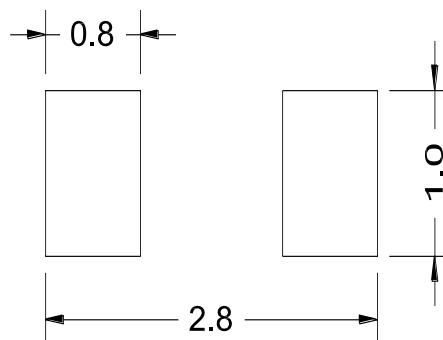
Bottom View



Side View



Polarity

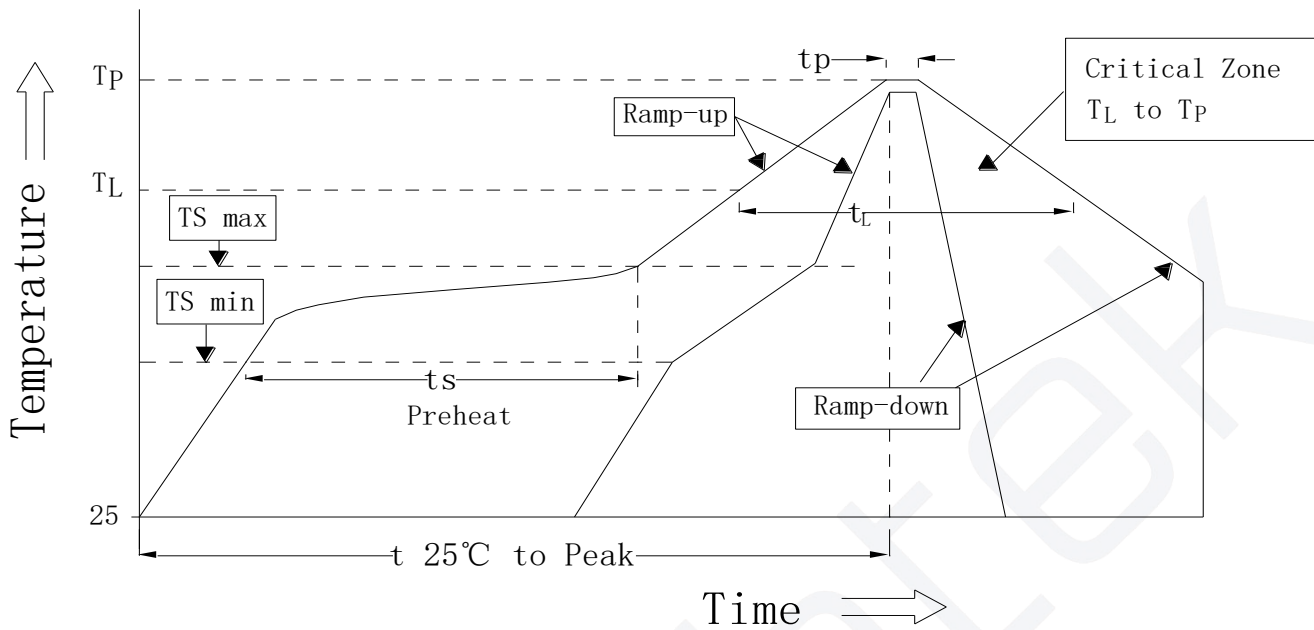
**Recommend Pad layout**


- Notes:
1. All dimensions are in millimeters
  2. Tolerance is  $\pm 0.1$ mm unless otherwise noted
  3. Specifications are subject to change without notice.



■ Reflow Profile

SMT Reflow Soldering Profile



Profile Feature	Symbol	Pb-Free (SnAgCu) Assembly			Unit
		Min.	Recommendation	Max.	
Ramp-up rate to preheat (25°C to 150°C)	-	-	2	3	K/s
Time ts (TS min to TS max)	ts	60	100	120	s
Ramp-up rate to peak (TS max to TP)	-	-	2	3	K/s
Liquidus temperature	TL	-	217	-	°C
Time above liquidus temperature	tL	-	80	100	s
Peak temperature	TP	-	245	260	°C
Time within 5 °C of the specified peak temperature TP - 5 K	tp	-	-	10	s
Ramp-down Rate (TP to 100 °C)	-	-	3	4	K/s
Time 25 °C to TP	-	-	-	480	s

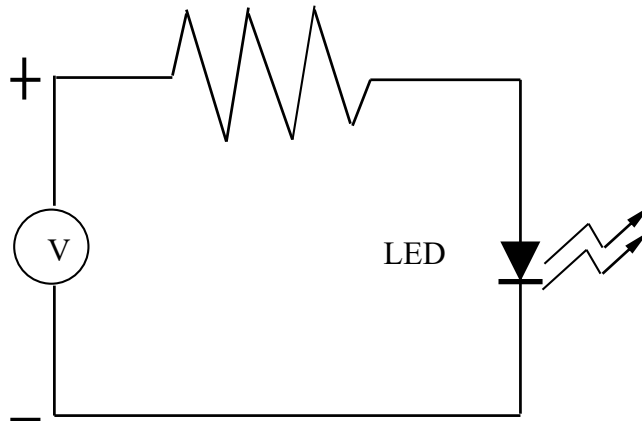
Notes:

1. Do not stress the silicone resin while it is exposed to high temperature.
2. The reflow process should not exceed 3 times.

■ **Test Circuit and Handling Precautions**

---

**1. Test Circuit**



**2. Handling Precautions**

2.1. Over-current-proof

Customer must apply resistors for protection; otherwise slight voltage shift will cause big current change (Burn out will happen).

2.2. Storage

1). It is recommended to store the products in the following conditions:

Humidity: 60% R.H. Max.

Temperature: 5°C~30°C (41°F~86°F)

2). Shelf life in sealed bag: 12 month at <5°C~30°C and <60% R.H. after the package is Opened, the products should be used within four weeks or they should be keeping to stored at ≤20%R.H. with zip-lock sealed.

2.3. Baking

If the package has been opened for more than 4 weeks or over than 12 months in sealed bag. it is recommended to bake the products with the following instruction:

1). 60±3°C X 6hrs and <5%RH, for reel

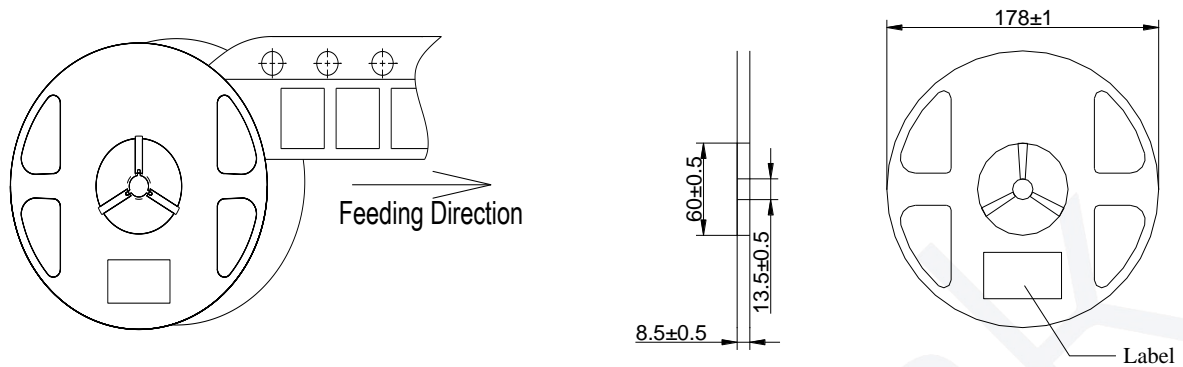
2). 125±3°C X 2hrs, for single LED

It shall be normal to see slight color fading of carrier (light yellow) after baking in process

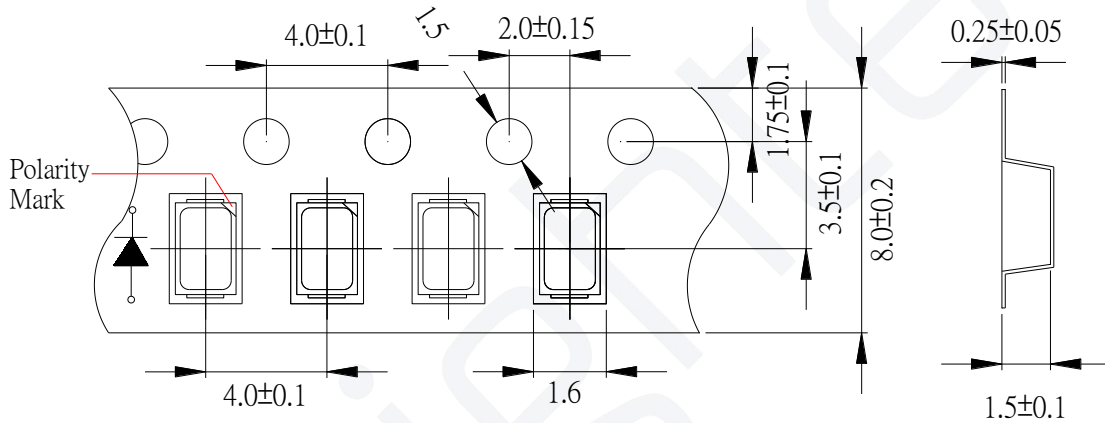
**Packing**

● Feeding Direction (Unit: mm)

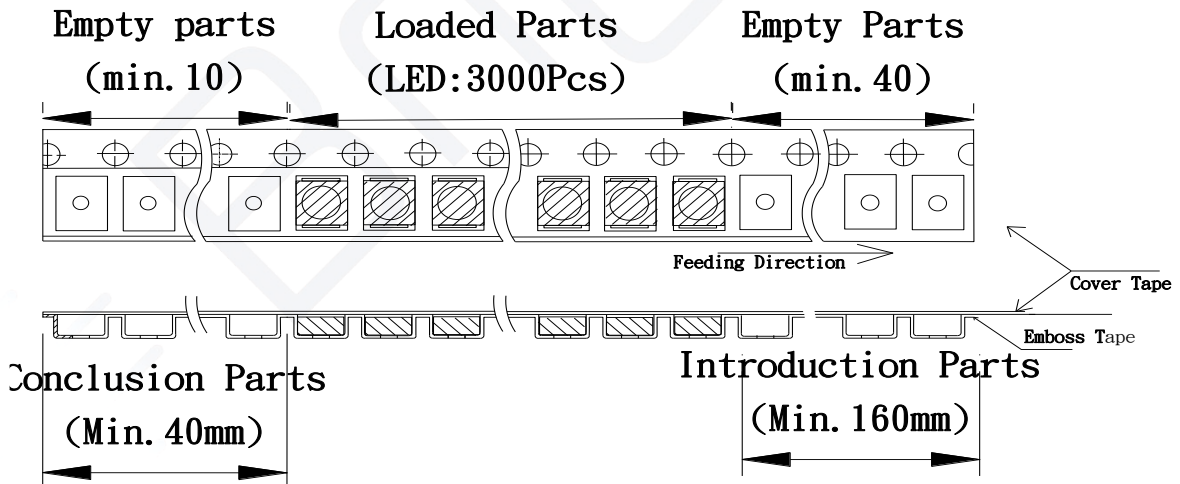
● Dimensions of Reel (Unit: mm)



● Dimensions of Tape (Unit: mm)



● Arrangement of Tape



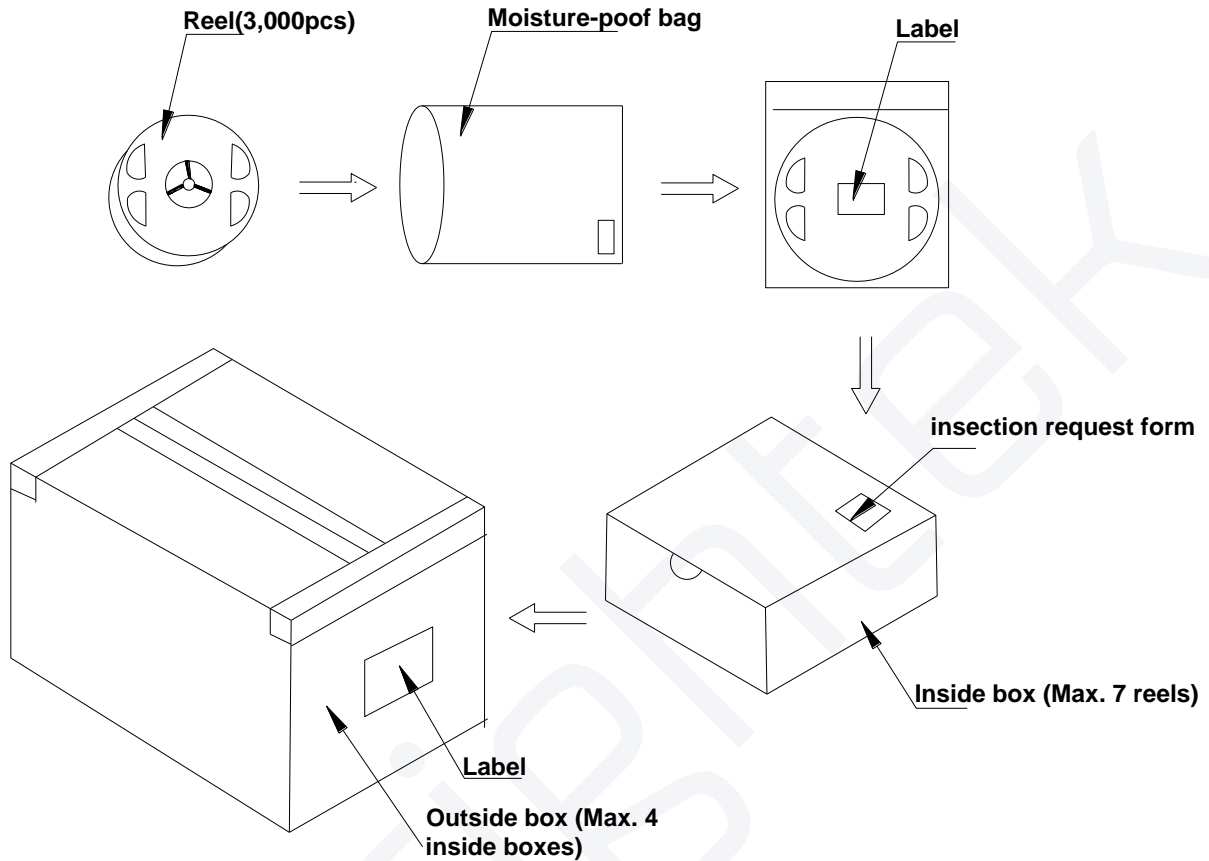
**Notes:**

1. Empty component pockets are sealed with top cover tape
2. The max loss number of SMD is 2pcs;
3. The cathode is oriented towards the tape sprocket hole in accordance with ANSI/EIA RS-481 specifications;
4. 3,000pcs per reel;
5. The remainder packing in multiples of 500pcs.

## ■ Packing

---

### ● Packaging Specifications



#### Notes:

Reeled product (max.3,000) is packed in a sealed moisture-proof bag. Seven bags are packed in an inner box (size: about 260 X 230 X 100 mm) and four inner boxes are in an outer box (size: about 480 X 275 X 215 mm). On the label of moisture-proof bag, there should be the information of Part No., Lot No. and quantity number; also the total quantity number should be on inspection request form on outer box.

■ **Precautions**

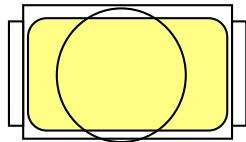
**1. Abnormal situation caused by improper setting of collet**

To choose the right collet is the key issue in improving the product's quality. LED is different from other electronic components, which is not only about electrical output but also for optical output. This characteristic made LED more fragile in the process of SMT. If the collet's lowering down height is not well set, it will bring damage to the gold wire at the time of collet's picking up and loading which will cause the LED fail to light up, light up now and then or other quality problems

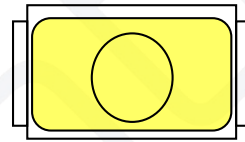
**2. How to choose the collet**

During SMT, please choose the collet that has larger outer diameter than the lighting area of lens, in case that improper position of collet will damage the gold wire inside the LED. Different collets fit for different products, please refer to the following pictures cross out

**Outer diameter of collet should be larger than the lighting area**



Picture 1(√)



Picture 2(X)

**3. Other points for attention**

- A. No pressure should be exerted to the epoxy shell of the SMD under high temperature.
- B. Do not scratch or wipe the lens since the lens and gold wire inside are rather fragile and cross out easy to break.
- C. LED should be used as soon as possible when being taken out of the original package, and should be stored in anti-moisture and anti-ESD package.

**4. This usage and handling instruction is only for your reference.**

**■ Test Items and Results of Reliability**

Test Item	Test Conditions	Duration/ Cycle	Number of Damage	Reference
<b>Thermal Shock</b>	-40°C 30min ↑↓5min 105°C 30min	1000 cycles	0/26	JESD22 A-106
<b>High Temperature Storage</b>	T <sub>a</sub> =105°C	1000 hrs	0/26	JESD22 A-103B
<b>Low Temperature Storage</b>	T <sub>a</sub> =-40°C	1000 hrs	0/26	JESD22 A-119
<b>Life Test</b>	T <sub>a</sub> =25°C I <sub>f</sub> =30mA	1000 hrs	0/26	JESD22 A-108
<b>High Humidity Heat Operation</b>	85°C RH=85% I <sub>f</sub> =20mA	1000 hrs	0/26	JESD22 A-101
<b>High Temperature Operation</b>	T <sub>a</sub> =105°C I <sub>f</sub> =20mA	1000 hrs	0/26	JESD22 A-108C
<b>ESD(HBM)</b>	6KV at 1.5kΩ;100pF	3 times	0/30	ANSI/JEDEC JS-001

Failure Criteria				
Item	Symbol	Condition	Criteria for Judgment	
			Min	Max
<b>Forward Voltage</b>	V <sub>F</sub>	I <sub>f</sub> =20mA	-	USL <sup>1</sup> ×1.1
<b>Reverse Current</b>	I <sub>R</sub>	V <sub>R</sub> =5V	-	10μA
<b>Radiant Power</b>	P <sub>O</sub>	I <sub>f</sub> =20mA	LSL <sup>2</sup> ×0.7	-

[Note] USL\*<sup>1</sup>: Upper Specification Level

LSL\*<sup>2</sup>: Lower Specification Level

Note: Version updates will not be announced and Brightek will have the final interpretation rights